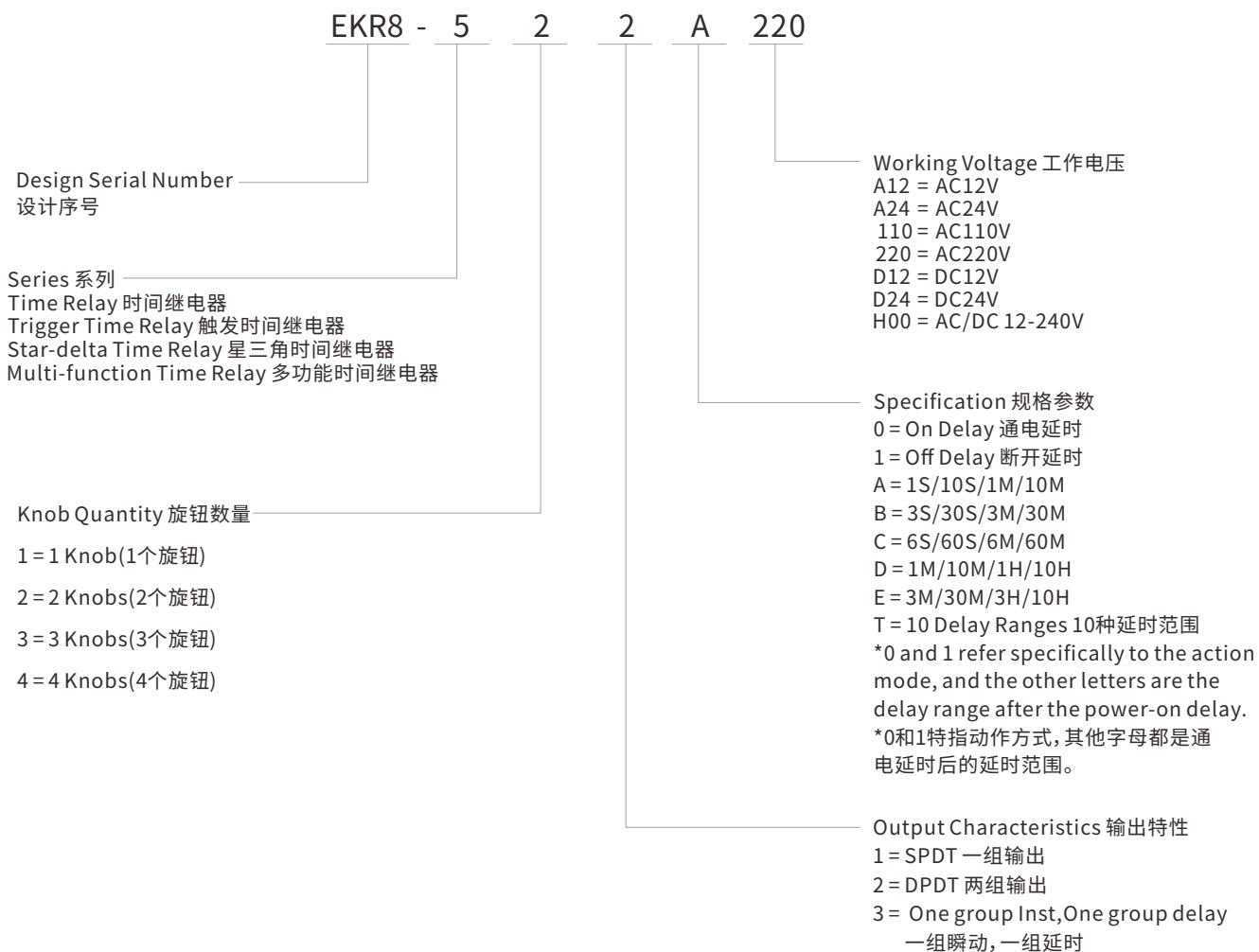


## Model Naming Rules 型号命名规则



# EKR8-5 Series Time Relay

时间继电器

Front view: function selector and regulators  
前视图: 功能选择器和调节器



## 时间继电器

### Time Relay

### 时间继电器

Time relay is an automatic control unit, which can be combined with various other electrical equipment to realize automatic control of the running circuit. When a preset time is over, the contact output will be closed or opened, so that the terminal electrical equipment can run or stop automatically.

时间继电器是一种自动化控制单元,可以结合其他各种电器设备,实现自动控制运行线路,在一个预设定的时间结束后,闭合或者断开触点输出,使终端电器实现自动运行或者停止。

This series of time relay has the advantages of wide operating voltage range, clear working instructions, small volume, uniform size, easy installation, etc. 本系列时间继电器具有工作电压范围广,工作指示清晰,体积小,尺寸统一,便于安装等优点。

Application 应用领域:

Industrial machinery 工业机械

Illumination 照明

Manufacturing 制造业

HVAC system 暖通空调系统

Food and agriculture 食品和农业

## EKR8-5 Series



Technical Data 技术数据	EKR8-521T	EKR8-522T
Output Characteristics 输出特性	Multi-period SPDT Output 多时段一组输出	Multi-period DPDT output 多时段两组输出
Rated Current 额定电流	5A/16A	
Working Voltage 工作电压	Single Voltage 单电压: AC12V,AC24V,AC110V,AC220V,DC12V,DC24V Wide Voltage 宽电压: AC/DC12-240V	
Time Range 时间范围	0.1S~10D (0.1秒~10天)	
Functions 功能	<p>SPDT</p>	<p>DPDT</p>
Dimensions外形尺寸图:in 英寸 (mm 毫米)		
	<p>Wiring Diagrams 接线图</p> <p>EKR8-521T</p>	<p>EKR8-522T</p>

## 时间继电器

### Time Relay

### 时间继电器

Time relay is an automatic control unit, which can be combined with various other electrical equipment to realize automatic control of the running circuit. When a preset time is over, the contact output will be closed or opened, so that the terminal electrical equipment can run or stop automatically.

时间继电器是一种自动化控制单元,可以结合其他各种电器设备,实现自动控制运行线路,在一个预设定的时间结束后,闭合或者断开触点输出,使终端电器实现自动运行或者停止。

This series of time relay has the advantages of wide operating voltage range, clear working instructions, small volume, uniform size, easy installation, etc.

本系列时间继电器具有工作电压范围广,工作指示清晰,体积小,尺寸统一,便于安装等优点。

Application 应用领域:

Industrial machinery 工业机械

Illumination 照明

Manufacturing 制造业

HVAC system 暖通空调系统

Food and agriculture 食品和农业

### EKR8-5 Series



Technical Data 技术数据	EKR8-541T	EKR8-542T
Output Characteristics 输出特性	Multi-period Circulation,SPDT 一组循环延时,多时段,SPDT	Multi-period Circulation,DPDT 两组循环延时,多时段,DPDT
Rated Current 额定电流	5A/16A	
Working Voltage 工作电压	Single Voltage 单电压: AC12V,AC24V,AC110V,AC220V,DC12V,DC24V Wide Voltage 宽电压: AC/DC12-240V	
Time Range 时间范围	0.1S~1D (0.1秒~1天)	
Functions 功能	<p>SPDT</p>	<p>DPDT</p>
Dimensions外形尺寸图:in 英寸 (mm 毫米)		
Wiring Diagrams 接线图	<p>EKR8-541T</p>	<p>EKR8-542T</p>

## 时间继电器

### Time Relay

### 时间继电器

Time relay is an automatic control unit, which can be combined with various other electrical equipment to realize automatic control of the running circuit.

When a preset time is over, the contact output will be closed or opened, so that the terminal electrical equipment can run or stop automatically.

时间继电器是一种自动化控制单元,可以结合其他各种电器设备,实现自动控制运行线路,在一个预设定的时间结束后,闭合或者断开触点输出,使终端电器实现自动运行或者停止。

This series of time relay has the advantages of wide operating voltage range, clear working instructions, small volume, uniform size, easy installation, etc.

本系列时间继电器具有工作电压范围广,工作指示清晰,体积小,尺寸统一,便于安装等优点。

Application 应用领域:

Industrial machinery 工业机械

Illumination 照明

Manufacturing 制造业

HVAC system 暖通空调系统

Food and agriculture 食品和农业

## EKR8-5 Series



### Technical Data 技术数据

Output Characteristics 输出特性

### EKR8-510

SPDT (On Delay)  
一组通电延时

### EKR8-511

SPDT (Off Delay)  
一组断开延时

Rated Current 额定电流

5A/16A

Working Voltage 工作电压

Single Voltage 单电压: AC12V, AC24V, AC110V, AC220V, DC12V, DC24V  
Wide Voltage 宽电压: AC/DC12-240V

Time Range 时间范围

1S, 3S, 6S, 10S, 30S, 60S, 3M, 6M, 10M, 30M, 60M, 3H, 6H, 10H, 30H  
Customized according to clients' requirements 可根据客户要求定制

Functions 功能

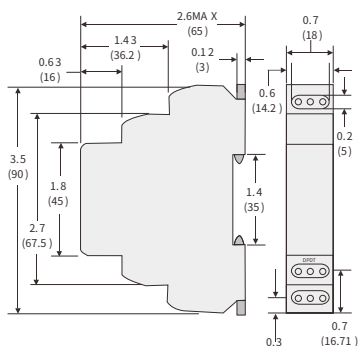


SPDT  
(On Delay)

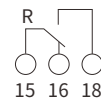
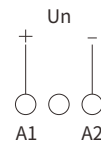


SPDT  
(Off Delay)

### Dimensions 外形尺寸图: in 英寸 (mm 毫米)



### Wiring Diagrams 接线图



EKR8-510

EKR8-511

## 时间继电器

### Time Relay

### 时间继电器

Time relay is an automatic control unit, which can be combined with various other electrical equipment to realize automatic control of the running circuit.

When a preset time is over, the contact output will be closed or opened, so that the terminal electrical equipment can run or stop automatically.

时间继电器是一种自动化控制单元,可以结合其他各种电器设备,实现自动控制运行线路,在一个预设定的时间结束后,闭合或者断开触点输出,使终端电器实现自动运行或者停止。

This series of time relay has the advantages of wide operating voltage range, clear working instructions, small volume, uniform size, easy installation, etc.

本系列时间继电器具有工作电压范围广,工作指示清晰,体积小,尺寸统一,便于安装等优点。

Application 应用领域:

Industrial machinery 工业机械

Illumination 照明

Manufacturing 制造业

HVAC system 暖通空调系统

Food and agriculture 食品和农业

## EKR8-5 Series



Technical Data 技术数据	EKR8-5120	EKR8-5121
Output Characteristics 输出特性	DPDT(On Delay) 两组通电延时	DPDT(Off Delay) 两组断开延时
Rated Current 额定电流	5A/16A	
Working Voltage 工作电压	Single Voltage 单电压: AC12V,AC24V,AC110V,AC220V,DC12V,DC24V Wide Voltage 宽电压: AC/DC12-240V	
Time Range 时间范围	1S,3S,6S,10S,30S,60S,3M,6M,10M,30M,60M,3H,6H,10H,30H Customized according to clients&apost; requirements 可根据客户要求定制	
Functions 功能	<p>DPDT (On Delay)</p>	<p>DPDT (Off Delay)</p>
Dimensions外形尺寸图:in 英寸 (mm 毫米)		
	<p>Wiring Diagrams 接线图</p> <p>EKR8-5120 EKR8-5121</p>	

## 时间继电器

### Time Relay

### 时间继电器

Time relay is an automatic control unit, which can be combined with various other electrical equipment to realize automatic control of the running circuit.

When a preset time is over, the contact output will be closed or opened, so that the terminal electrical equipment can run or stop automatically.

时间继电器是一种自动化控制单元,可以结合其他各种电器设备,实现自动控制运行线路,在一个预设定的时间结束后,闭合或者断开触点输出,使终端电器实现自动运行或者停止。

This series of time relay has the advantages of wide operating voltage range, clear working instructions, small volume, uniform size, easy installation, etc.

本系列时间继电器具有工作电压范围广,工作指示清晰,体积小,尺寸统一,便于安装等优点。

Application 应用领域:

Industrial machinery 工业机械

Illumination 照明

Manufacturing 制造业

HVAC system 暖通空调系统

Food and agriculture 食品和农业

## EKR8-5 Series



### Technical Data 技术数据

### EKR8-5130

Output Characteristics 输出特性

One Group Inst,One Group Delay, 一瞬一延, DPDT

Rated Current 额定电流

5A/16A

Working Voltage 工作电压

Single Voltage 单电压: AC12V,AC24V,AC110V,AC220V,DC12V,DC24V  
Wide Voltage 宽电压: AC/DC12-240V

Time Range 时间范围

1S,3S,6S,10S,30S,60S,3M,6M,10M,30M,60M,3H,6H,10H,30H  
Customized according to clients&apos; requirements 可根据客户要求定制

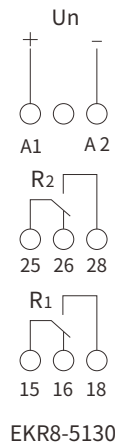
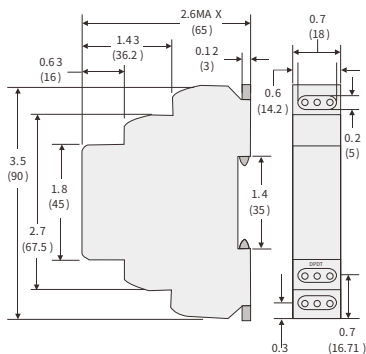
Functions 功能



DPDT  
(One Inst.One Delay Output)  
一瞬一延

### Dimensions外形尺寸图:in 英寸(mm 毫米)

### Wiring Diagrams 接线图



## 时间继电器

### Time Relay

### 时间继电器

Time relay is an automatic control unit, which can be combined with various other electrical equipment to realize automatic control of the running circuit. When a preset time is over, the contact output will be closed or opened, so that the terminal electrical equipment can run or stop automatically.

时间继电器是一种自动化控制单元,可以结合其他各种电器设备,实现自动控制运行线路,在一个预设定的时间结束后,闭合或者断开触点输出,使终端电器实现自动运行或者停止。

This series of time relay has the advantages of wide operating voltage range, clear working instructions, small volume, uniform size, easy installation, etc.

本系列时间继电器具有工作电压范围广,工作指示清晰,体积小,尺寸统一,便于安装等优点。

Application 应用领域:

Industrial machinery 工业机械

Illumination 照明

Manufacturing 制造业

HVAC system 暖通空调系统

Food and agriculture 食品和农业

### EKR8-5 Series



Technical Data 技术数据	EKR8-521★	EKR8-522★
Output Characteristics 输出特性	Multi-period Time-delay 多时段, 通电延时, SPDT	Multi-period Time-delay 多时段, 通电延时, DPDT
Rated Current 额定电流	5A/16A	
Working Voltage 工作电压	Single Voltage 单电压: AC12V, AC24V, AC110V, AC220V, DC12V, DC24V Wide Voltage 宽电压: AC/DC12-240V	
Time Range 时间范围	★ :A,B,C,D,E A:1S/10S/1M/10M B:3S/30S/3M/30M C:6S/60S/6M/60M D:1M/10M/1H/10H E:3M/30M/3H/30H	
Functions 功能	<p style="text-align: center;">SPDT</p>	<p style="text-align: center;">DPDT</p>
Dimensions外形尺寸图:in 英寸(mm 毫米)	Wiring Diagrams 接线图	
	<p style="text-align: center;">EKR8-521★</p>	<p style="text-align: center;">EKR8-522★</p>



## 时间继电器

### Time Relay

### 时间继电器

Time relay is an automatic control unit, which can be combined with various other electrical equipment to realize automatic control of the running circuit.

When a preset time is over, the contact output will be closed or opened, so that the terminal electrical equipment can run or stop automatically.

时间继电器是一种自动化控制单元,可以结合其他各种电器设备,实现自动控制运行线路,在一个预设定的时间结束后,闭合或者断开触点输出,使终端电器实现自动运行或者停止。

This series of time relay has the advantages of wide operating voltage range, clear working instructions, small volume, uniform size, easy installation, etc.

本系列时间继电器具有工作电压范围广,工作指示清晰,体积小,尺寸统一,便于安装等优点。

Application 应用领域:

Industrial machinery 工业机械

Illumination 照明

Manufacturing 制造业

HVAC system 暖通空调系统

Food and agriculture 食品和农业

## EKR8-5 Series



### Technical Data 技术数据

### EKR8-532★

#### Output Characteristics 输出特性

Multi-period, Time-delay, A/B mode can be switched  
多时段, 通电延时, A/B模式可切换

#### Rated Current 额定电流

5A/16A

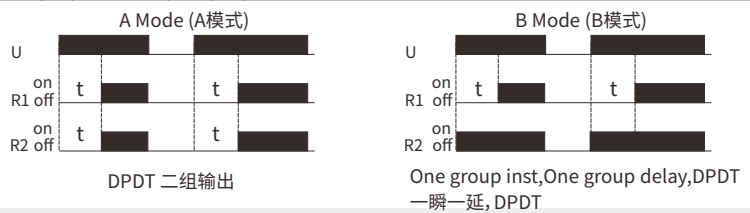
#### Working Voltage 工作电压

Single Voltage 单电压: AC12V, AC24V, AC110V, AC220V, DC12V, DC24V  
Wide Voltage 宽电压: AC/DC12-240V

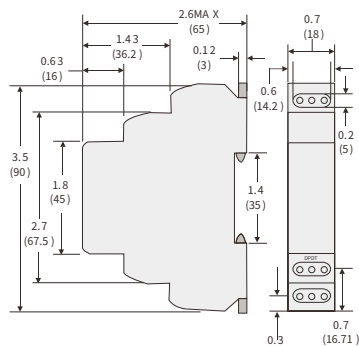
#### Time Range 时间范围

★ :A,B,C,D,E  
A:1S/10S/1M/10M B:3S/30S/3M/30M C:6S/60S/6M/60M  
D:1M/10M/1H/10H E:3M/30M/3H/30H

#### Functions 功能



### Dimensions 外形尺寸图: in 英寸 (mm 毫米)



### Wiring Diagrams 接线图

